



# Product Communication



**Type:** EMEA Product Announcement  
**Number:** EMEA-PM08-018  
**Date:** 5 June, 2008  
**Subject:** PB50 ESC/P Protocol Available and Accessories Update

---

Following our previous announcement EMEA-PM08-011 05 March 2008 - **PB50 Launch Kit**, Intermec is pleased to announce the availability of a new PB50 printer configuration additional to existing ones (FingerPrinter/DP and IPL), covering multiple communication protocols and facilitating the choice of the most appropriate one for your application and the terminal to be connected.



**PB50A13004100** PB50, BT, ESC/P, Bluetooth®  
(Must order Battery Pack separately for portable application.)

## About ESC/P

**ESC/P** (Epson Standard Code for Printers) is a command language developed by Epson to control printers. It is mainly used to add formatting to printed text, and it is widely supported in software.

ESC/P derives its name from the start of the escape sequences used, which start with the escape character ESC (ASCII code 27).

There are several variants of ESC/P, as not all printers implement all commands.

The PB50 printer supports five types of commands:

- Bluetooth
- Download
- Easy Print mode
- Line Printer mode
- Query

You can use **Bluetooth** commands to set Bluetooth parameters.

You can use **Download** commands to download fonts and graphics to the printer.

You can use **Line Printer** and **Easy Print** commands to print receipts, tickets, labels, and reports.

You can use **Query** commands to retrieve information about the printer or a print request, cancel printing, or reset the printer.

There are other commands that are not included in the aforementioned five types of commands. These commands are specific to Intermec printers and allow you to set some of the same commands as Intermec Settings and retrieve printer information. Please refer to the following web link to obtain the latest updated manual information <http://www.intermec.com/products/prtrpb50/index.aspx> where you will find: Programming/Software Manuals: ESC/P Programmer's Reference Manual.

As a part of a total solution aimed at improving mobility operations, the PB50 printer interfaces seamlessly with Bluetooth-enabled Intermec mobile computers including the CK31, CK61, and CV30 vehicle mount computer, along with the CN3/CN3E, and 700 series. As an alternative to Bluetooth, you can choose WLAN WiFi connectivity (just for FP/DP or IPL protocol options).

This total solution is also ideally suited to support work-in-process and in-store applications. The PB50 meets the demands of all these applications by offering the flexibility to either be worn using a handstrap / shoulder strap, belt clip or protective case.

### **PB50 Case, Belts and Straps Accessories**

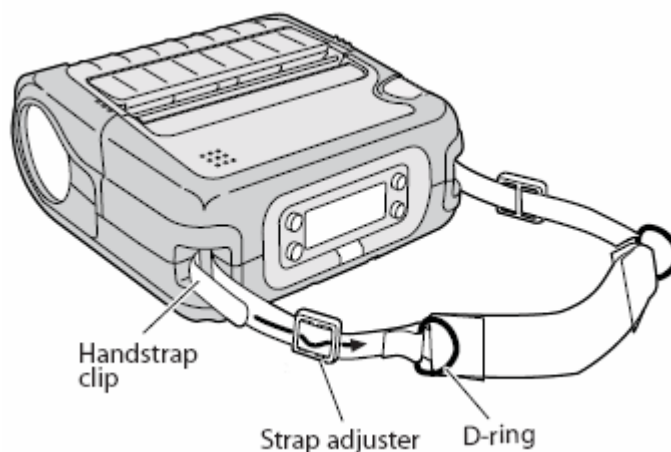
Below is a list of current accessories to carry your printer.

- 074789** Hand Strap, PB42/PB50
- 074788** Shoulder Strap, PB42/PB50 (requires handstrap p/n 074789)
- 825-191-001** Belt Clip, PB50
- 825-192-001** Protective Case, PB50

### **Hand Strap, PB42/PB50**

The handstrap (P/N 074789) provides a convenient way to carry your PB42 or PB50 printer. With the handstrap attached, you can also attach the shoulder strap (P/N 074788).

The handstrap kit contains Handstrap accessory and Instructions for assembly.



### To attach the handstrap

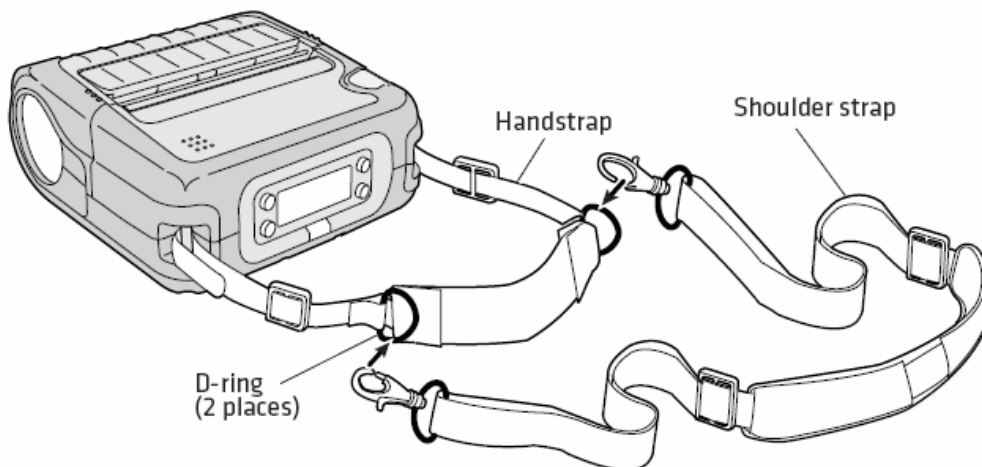
1. Remove both ends of the handstrap from the strap adjusters that secure them to the strap.
2. Insert one end of the handstrap through the handstrap clip on the printer. Make sure the D-rings on the handstrap are facing away from the printer.
3. Pull the end of the handstrap through the handstrap clip and then insert the end of the handstrap back through the strap adjuster and pull tight.
4. Repeat step 3 with the other end of the handstrap. You are now ready to use the printer with the handstrap, or you can attach a shoulder strap to the D-rings on the handstrap.

### **Shoulder Strap, PB42/PB50 (requires handstrap p/n 074789)**

The printer shoulder strap (P/N 074788) provides you with a convenient way to carry your PB42, PB50, or PW50 printer. The wide padded strap makes it comfortable to wear the printer for long periods of time.

As already explained in the PB50 Launch Kit, but perhaps not well explained in EPG Q2, in order to install the Shoulder Strap (P/N 074788), it is **ALSO** necessary to order the handstrap (P/N 074789), if it was not previously installed.

The shoulder strap kit contains Shoulder strap accessory and Instructions for assembly.



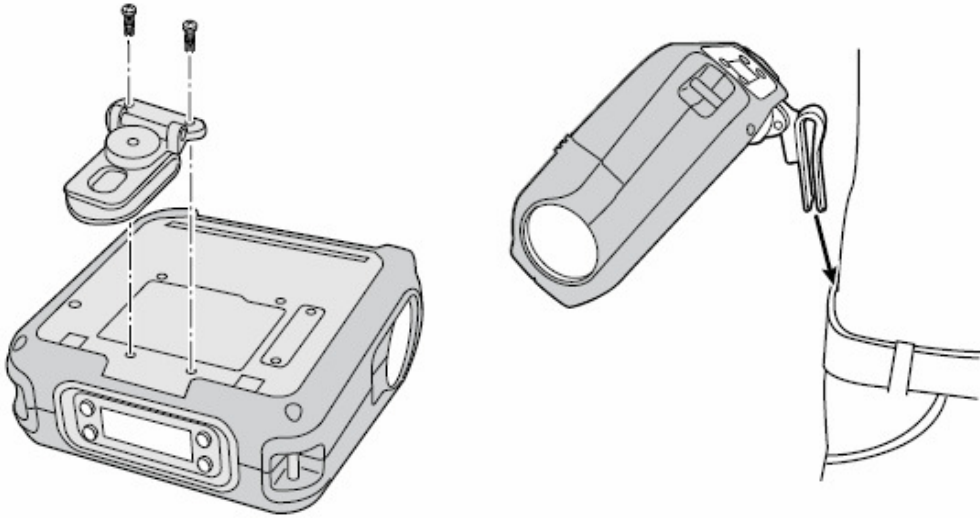
### To attach the shoulder strap to the PB42 or PB50

1. Install the handstrap on the printer.
2. Orient the shoulder strap so that the textured side of the strap padding is facing toward the printer. You want the textured side of the padding to sit on your shoulder when the strap is installed.
3. Attach the snap hooks on the ends of the shoulder strap to the D-rings on the handstrap.

You are now ready to use the PB42 or PB50 with the shoulder strap accessory.

### **Belt Clip, PB50**

The PB50 belt clip makes it easy for you to attach the PB50 printer to your belt. The belt clip kit contains these parts: Belt clip accessory, Two Phillips screws and Instructions.



### **To install the belt clip**

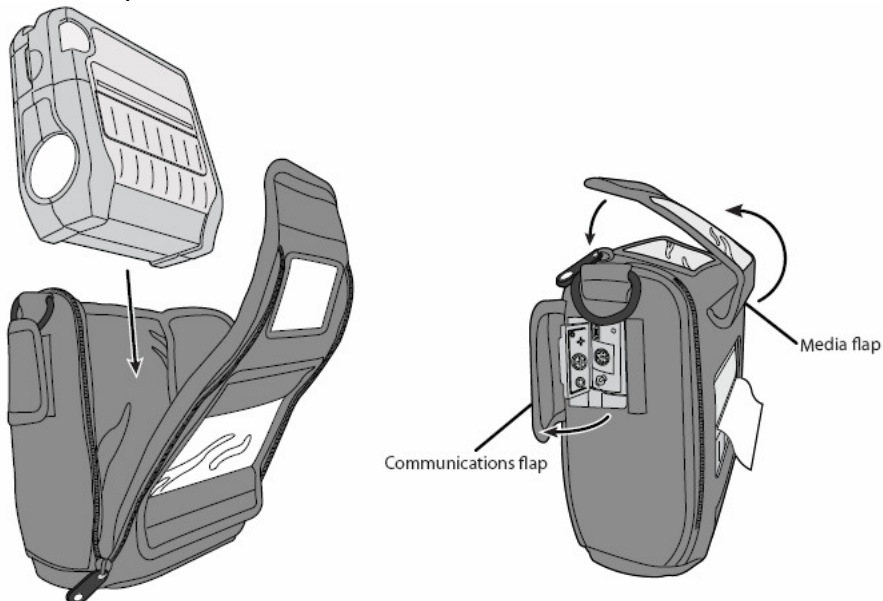
1. Attach the belt clip to the back of the PB50 with the two Phillips screws.
2. Attach the PB50 to your belt with the belt clip.

### **Protective Case, PB50**

Use the PB50 protective case to transport and store your PB50 printer. The protective case provides easy access to the printer buttons, connectors, and battery, allowing you to print labels while the printer is still in the protective case. Use the handstrap or shoulder strap accessory with the protective case to make it easy to carry. The protective case kit contains Protective case accessory and Instructions.

### **To insert the PB50 into the protective case**

1. Unzip the main flap on the protective case and insert the PB50 with the control panel facing upward.
2. Close the zippers on both sides of the protective case and secure the flap over the end of the printer.



You can open the media flap to print labels while the printer is in the case.  
 You can also attach a power cable, a USB cable, or a serial cable to the PB50 through the flap which protects the communications port.

## **Configurations and Orderability**

<p><b>PB50 Portable Four (4) Inch Thermal Label Printer</b>          Usage: Applications requiring a light weight, durable wireless portable four inch label and receipt printer.          Base configuration: Direct thermal printer with wireless (Bluetooth or WLAN), USB and Serial RS-232 connectivity          Included in Box: Printer, Quick Start Guide, warranty card and swivel belt clip.          Required accessories: Battery and battery charging devices for portable application, media</p>	
---	---

<b>Preferred Printers</b>		
<b>PB50A12004100</b>	<b>PB50, Fingerprint/DP, Bluetooth (Must order Battery Pack separately for portable application.)</b>	<b>1050,00 B</b>
<b>PB50A12803100</b>	<b>PB50, Fingerprint/DP, Wlan WiFi 802.11 b/g (Must order Battery Pack separately for portable application)</b>	<b>1240,00 B</b>
<b>Available Printers</b>		
<b>PB50A11004100</b>	<b>PB50, IPL, Bluetooth (Must order Battery Pack separately for portable application.)</b>	<b>1050,00 B</b>
<b>PB50A11803100</b>	<b>PB50, IPL, Wlan WiFi 802.11b/g (Must order Battery Pack separately for portable application.)</b>	<b>1240,00 B</b>
<b>PB50A13004100</b>	<b>PB50, ESC/P, Bluetooth (Must order Battery Pack separately for portable application.)</b>	<b>1050,00 B</b>
<b>Batteries</b>		
<b>318-026-001</b>	<b>Battery Pack, 4 cell</b>	<b>85,00 B</b>
<b>Power Supplies</b>		
<b>074866</b>	<b>Adapter, Cig lighter, PB42/PB50 RoHS</b>	<b>30,00 B</b>
<b>851-082-003</b>	<b>Universal Power Supply, 12VDC 50W FW5012. Order country specific AC power cord separately. (RoHS)</b>	<b>55,00 B</b>
<b>852-915-001</b>	<b>Battery charger, Quad (Requires AC Adapter P/N: 851-082-003)</b>	<b>300,00 B</b>
<b>Power Cables</b>		
<b>206-875-102</b>	<b>Cable, Truck Power, 8' (264cm)</b>	<b>18,00 B</b>
<b>206-875-106</b>	<b>Cable, Truck Power, 16' (538cm)</b>	<b>30,00 B</b>
<b>206-875-109</b>	<b>Cable, Truck Power, 22' (726cm)</b>	<b>40,00 B</b>
<b>226-215-101</b>	<b>Cable, DC power, 4' (between Vehicle dock and Truck Power Connection Cable)</b>	<b>30,00 B</b>
<b>226-215-102</b>	<b>Cable, DC power, 4', right angle (between Vehicle dock and Truck Power Connection Cable)</b>	<b>40,00 B</b>
<b>Cables</b>		
<b>075497</b>	<b>Cable, Serial data, PB42/PB50 RoHS</b>	<b>45,00 B</b>
<b>321-611-102</b>	<b>Cable, USB-A to USB-Mini B Plug, 2M RoHS</b>	<b>25,00 B</b>
<b>Holders, Holsters, Belts and Straps</b>		
<b>074788</b>	<b>Shoulder Strap, PB42/PB50 RoHS (requires p/n 074789 Hand Strap)</b>	<b>40,00 B</b>
<b>074789</b>	<b>Hand Strap, PB42/PB50 RoHS</b>	<b>20,00 B</b>
<b>825-191-001</b>	<b>Belt Clip, PB50</b>	<b>20,00 B</b>
<b>825-192-001</b>	<b>Case, Protective, PB50</b>	<b>75,00 B</b>
<b>Mounts</b>		
<b>225-740-001</b>	<b>Vehicle Mount, PB50</b>	<b>290,00 B</b>
<b>225-741-001</b>	<b>Cart Mount, PB50</b>	<b>75,00 B</b>
<b>Miscellaneous</b>		
<b>1-110501-00</b>	<b>Cleaning Card, 4" (Box of 25)</b>	<b>25,00 C</b>
<b>AC Power Cord</b>		
<b>1-974029-020</b>	<b>Power Cord 220-250 VAC, UK</b>	<b>10,00 B</b>
<b>1-974027-025</b>	<b>Power Cord 220-250 VAC, Europe</b>	<b>10,00 B</b>
<b>586276</b>	<b>Power Cord 220-230 VAC, Liechtenstein, Switzerland</b>	<b>10,00 B</b>
<b>321-471-002</b>	<b>Power Cord 120-250 VAC, Italy</b>	<b>10,00 B</b>
<b>321-501-002</b>	<b>Power Cord 220-250 VAC, Denmark, Greenland RoHS</b>	<b>10,00 B</b>
<b>321-502-002</b>	<b>Power Cord 250 VAC, India/S Africa RoHS</b>	<b>10,00 B</b>

If you have any questions regarding this announcement please contact your local representative or myself.

**Francesco Assini**  
 Regional Marketing Manager Printers  
 Email: [francesco.assini@intermec.com](mailto:francesco.assini@intermec.com)