

Intermec 6820/21/22 Configurations and Accessory Guide



Please report any errors, suggestions, or requests to:

Allen Henley
Mobile Printer Product Manager
allen.henley@intermec.com

Revision: Oct 7, 2008

Contents:

6821/22 Common Configurations

Model Identification

Recommended Configuration for Demonstration

Retrofit Information (retrofit CN3/CN3e or 700 series holders)

Data Cables (connecting to handheld computers)

Power Connections

Mounting Kits

Installation Kits

Wiring Diagrams

Some Common 6822 Configurations (there are many others available)

6822F – Fixed Mount (No handle)

6822F0016010100	Fixed Mount	LS Holder/RS Filler	700 Series Hldr
6822F001A010100	Fixed Mount	LS Holder/RS Filler	CN3 BT
6822F001A110100	Fixed Mount	LS Holder/RS Filler	CN3e BT
6822F0026010100	Fixed Mount	LS Filler/RS Holder	700 Series Hldr
6822F002A010100	Fixed Mount	LS Filler/RS Holder	CN3 BT

6822P – Portable (Has a handle)

6822P1036010100	Portable, 50 Sheet	LS Foot/RS Handle	700 Series Hldr
6822P1037020100	Portable, 50 Sheet	LS Foot/RS Handle	700 Series w/ BT Hldr
6822P103A020100	Portable, 50 Sheet	LS Foot/RS Handle	CN3 BT
6822P5036010100	Portable, 200 Sheet	LS Foot/RS Handle	700 Series Hldr
6822P5037010100	Portable, 200 Sheet	LS Foot/RS Handle	700 Series w/ BT Hldr
6822P503A010100	Portable, 200 Sheet	LS Foot/RS Handle	CN3 BT
6822P503A110100	Portable, 200 Sheet	LS Foot/RS Handle	CN3e BT
6822P50AA010100	Portable, 200 Sheet	LS Handle/RS Foot	CN3 BT

6822 Configurations

All 6821F and 6821P configurations will be available as 6822F and 6822P configurations. For ordering, some simply change the 6821xxxx configuration string to 6822xxxx.

The 6821W (Wall Mount) will be discontinued in late 2008. We recommend 6822F as a “fixed mount” replacement.

Although the 6821F/P has been removed from the price guide, we have reserved a small amount of them for critical needs. Please plan ahead. These may take a little longer to get built.

Configuration String Decoder

(Most common configurations)

6822F

Digit Location	Choices / Definition
1-7	6822F00
8	1 = Left Side Holder, Right Side Filler 2 = Left Side Filler, Right Side Holder N = Left Side Filler, Right Side Filler (Use with M0 option)
9,10	60 = 700 series, non-BT holder 70 = 700 series BT holder 80 = CK60 series, non-BT holder 90 = CK60 series, BT holder A0 = CN3 BT holder A1 = CN3e BT holder M0 = 25 pin serial port (Use only with LS Filler / RS Filler)
11,12	10 = Standard Top Cover (no slot) 20 = Top Cover with slot for external media
13-15	000 = Standard Fonts and Control Program

6822P

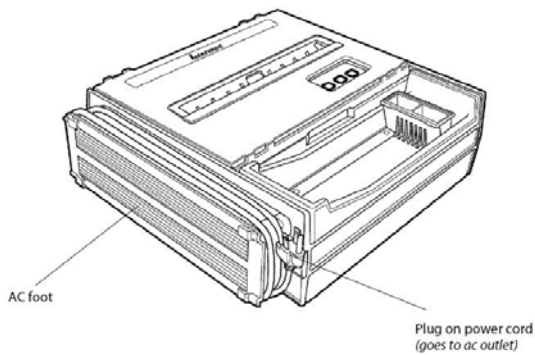
Digit Location	Choices / Definition
1-5	6822P
6,7	10 = 50 Sheet Holder 50 = 200 Sheet Holder
8	3 = Left Side Foot, Right Side Handle (50 or 200 sheet tray) A = Left Side Handle, Right Side Foot (use only w/200 sheet tray) F = Left Side AC Foot, Right Side Handle (50 or 200 sheet tray)
9,10	60 = 700 series, non-BT holder 70 = 700 series BT holder 80 = CK60 series, non-BT holder 90 = CK60 series, BT holder A0 = CN3 BT holder A1 = CN3e BT holder M0 = 25 pin serial port
11,12	10 = Standard Top Cover (no slot) 20 = Top Cover with slot for external media
13-15	100 = Standard Fonts and Control Program

6820 Model Identification



6822F001A110100

Fixed, Left Side Holder,
Right Side Filler, CN3e
Holder w/BT



6822P50FA110100

Portable, Left Side AC
foot, Right Side Handle,
CN3e holder

“AC Foot” option
provides a built in power
supply that allows it to be
plugged into standard AC
current.





6822P50AA010100

Portable, Left Side Handle, Right Side Foot, CN3 Holder w/BT

6820 Recommended Configuration and Accessories for Demonstration Purposes

For Portable (carry around)

6822P103A020100	6822P Portable, CN3 holder, 50 Sheet Capacity, Left Side Foot, Right Side Handle
851-064-105	100W AC/DC Adapter
xxxxx	Country specific AC power cord

For Fixed Mount

6822F001A110100	6822F Fixed Mount, CN3e holder, Left Side Holder, Right Side Filler
851-064-105	100 W AC/DC Adapter
xxxx	Country specific AC power cord

Retrofit Kits

For Retrofit Orders:

The CN3 and CN3e holders can be retrofit by Qualified Customers or at Intermec Service Depots onto existing 6820 or 6821 printers. You can retrofit these new holders on existing BT or non-BT printers.

You can download and view the upgrade instructions from GSS. Search for 6820 and look for 6820 Printer Terminal Holder Upgrade Instructions (Document PN 942-007-002)

The following tables list the part numbers for the retrofit kits:

6820/21P

CN3	203-842-001	6821/6822 Portable, CN3 Terminal Holder, Bluetooth, RoHS
CN3e	203-872-001	6821/6822 Portable, CN3e Terminal Holder, Bluetooth, RoHS

6820/21F

CN3	203-881-001	6821/6822 Fixed, CN3 Terminal Holder, Bluetooth, RoHS
CN3e	203-882-001	6821/6822 Fixed, CN3e Terminal Holder, Bluetooth, RoHS

In addition to these kits, if you are upgrading from NPCP to Bluetooth, you'll need the configuration utility software and a special cable.

Other items required when upgrading to a Bluetooth enabled holder from NPCP.

- 6820 Printer Configuration Utility for Windows 2000 and XP: 235-145-001
- 6820 Printer Configuration Utility for Windows 95 and 98: 215-815-001
- 6820 programming cable 226-270-001

700 Series Handhelds:


The 700 series holder that now ships with the 6822 will accommodate the 761 w/Radome antenna. To retrofit this holder you can order the following kit.

Kit #: 203-693-102

682X Serial Data Connections

The 6820 is available with integrated holders for CK61, CN3, or 700 series handhelds. If you are using a remote computer or handheld that is wired (RS-232) to the printer, you need to order the correct data cables.

Description	Part Number	Picture	Notes
CN3 Vehicle Dock	871-027-001		<p>Backside view of the CN3 Vehicle Dock.</p> <p>DB15 connector is visible on the lower left.</p> <p>This is a stand-alone CN3 dock, not the 6822 integrated CN3 holder</p>
Serial Adapter Cable for CN3 vehicle dock	225-737-001		<p>DB15 to DB9 cable</p> <p>This provides a DB9M serial connection from the CN3 vehicle dock.</p> <p>Used only with stand-alone dock above (not the integrated holder)</p>
DB9 to DB25 Cable	321-355-001 (6 feet) 321-355-001 (15 feet)		<p>DB9F to DB25M cable.</p> <p>Use this cable to connect your laptop or CN3 serial adapter cable to the 6820 DB25 serial input</p>
DB25 to DB25 Cable	226-261-101 (6 feet) 226-261-102 (25 feet)		<p>DB25M to DB25M.</p> <p>Appears to be for remote 6220 terminal holder to 682x DB25 input.</p>

Description	Part Number	Picture	Notes
DB9 to RJ45	226-270-001		<p>Used for RJ45 Serial Data Input.</p> <p>Appears to be for 6820W external data connection and 6820F/P internal data connection.</p> <p>Need to validate this.</p>

6822 AC Power and Battery Options

Description	Part Number	Picture	Notes
Battery for 6822P	317-075-001	No Picture	<p>Used only with the Portable Model (6822P)</p> <p>12V, 2.3 AH</p>
AC Adapter (100W)	851-064-105	No Picture	<p>13V, 7.7A.</p> <p>Must order separate AC power cord</p>



6822 Vehicle Power Connections


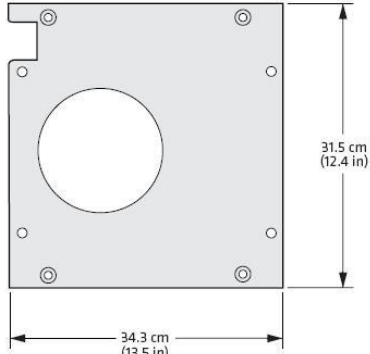
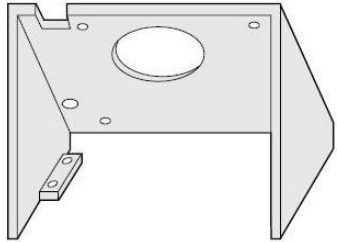
(Refer to the wiring diagram later in this document)

Description	Part Number	Picture	Notes
Cable, Truck Power, 8'	206-875-102		Attaches directly to 12V battery.
Cable, Truck Power, 16'	206-875-106		Requires cable 226-215-101 or 226-215-102 to connect to vehicle dock or cable 852-909-001 to connect directly to the printer
Cable, Truck Power, 22'	206-875-109		
Cable, Vehicle Mount power, 4' , Straight plug (shown)	226-215-101		Attaches directly to the vehicle mount.
Cable, Vehicle Mount power, 4' , right angle plug	26-215-102		Requires cable 206-875-102, 206-875-106, or 206-875-109.
Fuse Link Assembly	236-107-001		14" long and has 15A fuse. This is included with the installation kits. Currently cannot order separately.
Auto Adapter, 12V	226-345-101		12V Cigarette Lighter Adapter. Approx. 7 feet in length.



682X Mounting Kits

We strongly suggest you download the mounting instructions document #931-052-001 for detailed drawings and dimensions

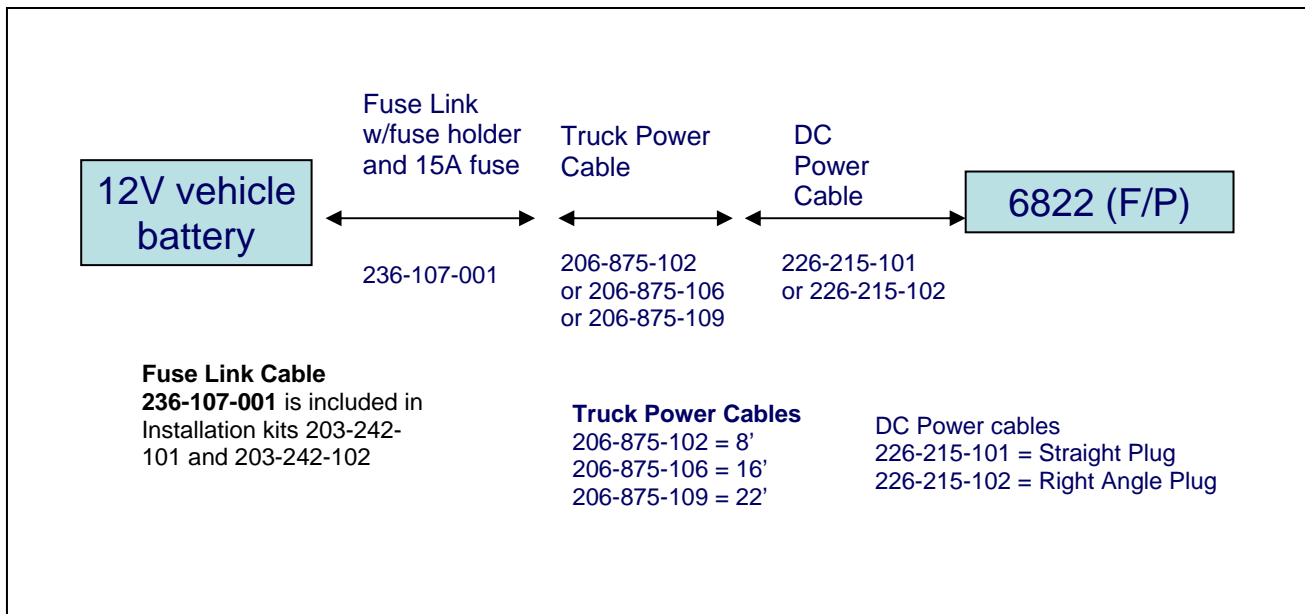
Description	Part Number	Picture	Notes
<p>6821W Installation Kit</p>	<p>203-486-002</p>		<p>Used to mount 6820/21W in a vehicle.</p> <p>Tray holds 8.5" by 11" fanfold paper and allows it to lay flat in the tray.</p> <p>Kit includes:</p> <ul style="list-style-type: none"> - Wall mount plate - Flat paper tray - Bolts to connect them together. <p>Width is 13" (not 17" as was shown in some early documentation)</p>
<p>6820/21W Mounting Plate</p>	<p>714-417-001</p>		<p>Used to Wall Mount 6820/21W in a vehicle. Allows the printer to be easily removed if needed.</p> <p>Same mounting plate that is included in 203-486-002. Width is 13" (not 17" as was shown in some early documentation)</p>

<p>6820/21W Compact Paper Tray w/bolts</p>	<p>203-489-001</p>		<p>Mounts the same as the standard paper tray shown in kit #203-486-002.</p> <p>Designed for paper width of 8.5".</p> <p>Depth from wall is about 7".</p> <p>Will work with standard 8.5" X 11" forms, they sit in the tray "on end" (not flat).</p>
<p>6822F Flat Mounting Plate</p>	<p>709-966-003</p>		<p>Permanent Mount to truck body. Allows easy attachment of 6822F.</p> <p>See 931-052-001 (instructions on the web)</p>
<p>6822F Angle Mounting Plate</p>	<p>709-850-006</p>		<p>Approx. 45 deg angle.</p> <p>Permanent mount to truck body. Allows easy attachment of 6822F.</p> <p>See 931-052-001 (instructions on the web)</p>

6820 Installation Kits

Description	Part Number	Picture	Notes
<p>6820F Fixed Printer Installation Kit</p>	<p>203-242-101</p>		<p>Hardware used to secure electrical wires and attach 6820F printer to the fixed mount. Includes cable ties, nut, bolts, washers, rubber grommets, and “fuse link assembly”.</p> <p>Fuse link assembly is approx 14” long, contains a 15A fuse, and is intended to connect directly to a 12V battery terminal.</p> <p>See wiring diagram in this document.</p>
<p>6820P Portable Printer Installation Kit</p>	<p>203-242-102</p>		<p>Same as previous kit except you don’t get the rubber grommets or quite as many screws and nuts. These are not needed since the 6820P is a “portable printer” and is not intended to be fixed mounted.</p>

6820 Vehicle Wiring Diagram



Note: You must order one of the DC Power Cables because it has a unique connector that plugs directly into the 6822. For the “Fuse Link” and “Truck Power” cables, you can choose to use Intermec part number or make up your own. If the printer is located close to a fused power source, you can cut off one end of the DC Power Cable and wire it directly to the fused source.